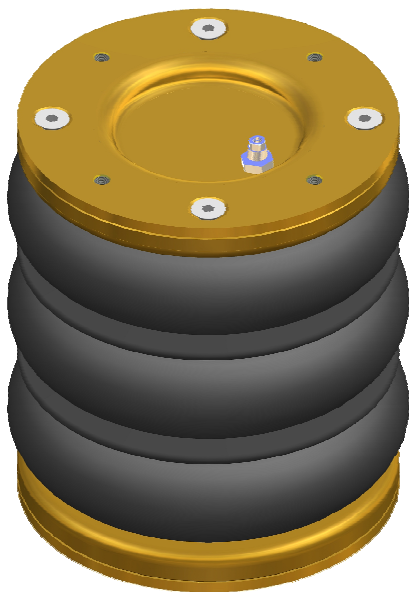
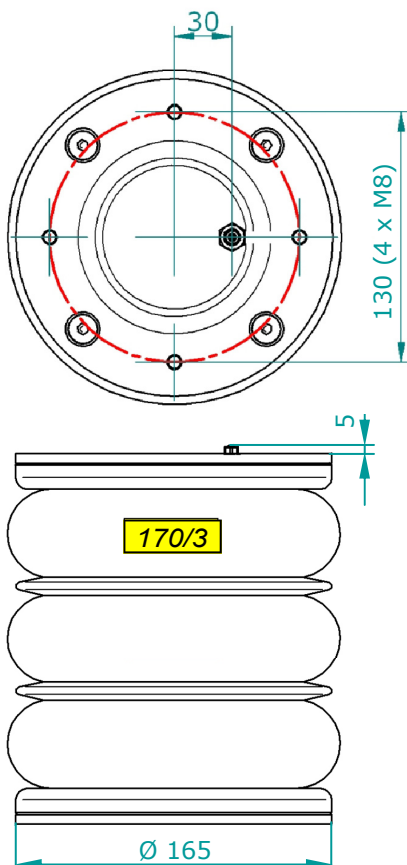


170mm x 3

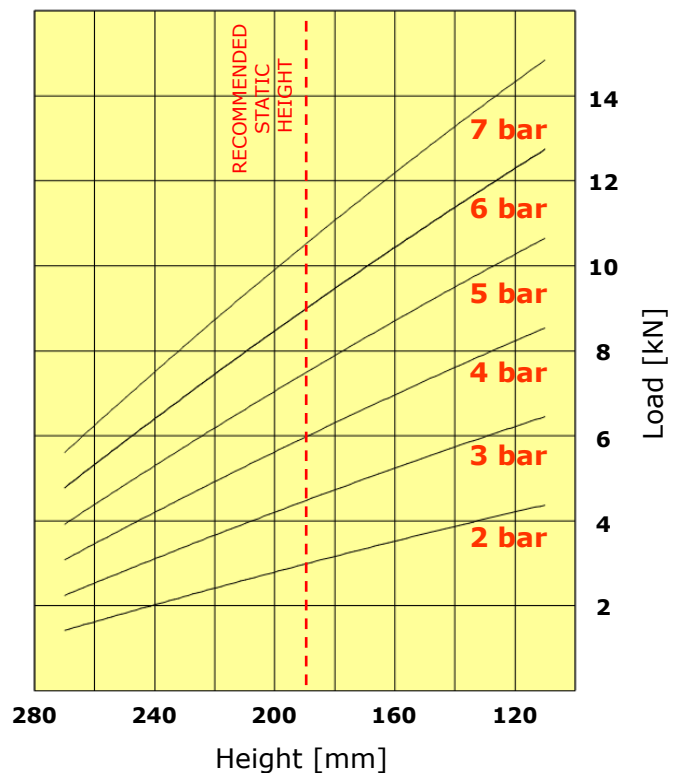


Specifications (OP.LB.170-3.CPL)

Maximum Diameter	185mm
Recommended Minimum Space Envelope	205mm
Maximum Height	318mm
Recommended Static Height	190mm
Minimum Height	91mm
Total Stroke	227mm
Static Height Range	120–260mm
Effective Area at Recommended Static Height	156cm ²
Volume at Recommended Static Height	2760cm ³
Weight	3.15kg

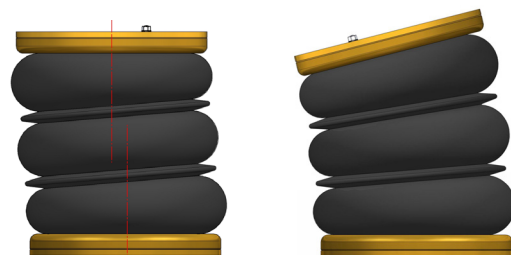


Static Characteristic Curves



Conditions of Use

Maximum Operating Pressure	7.0bar
Minimum Storage Pressure	0.5bar
Maximum Operating Temperature	60°C
Minimum Operating Temperature	-30°C



Maximum Axial Offset	6mm
Max. Horizontal Parallel Deviation	15°