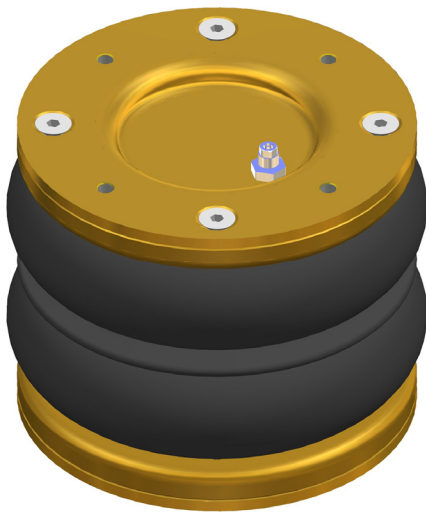
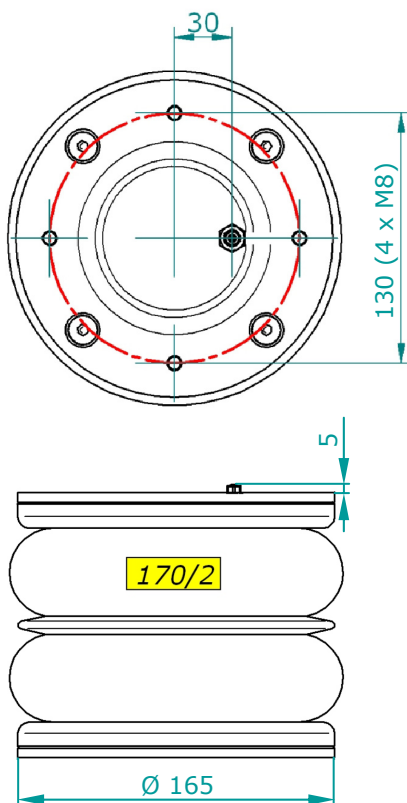


## 170mm x 2

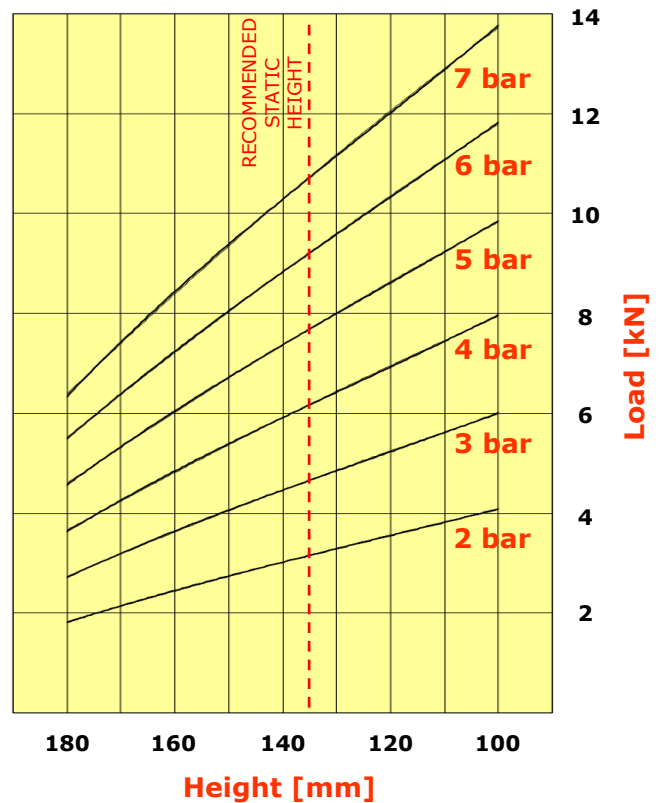


### Specifications (OP.LB.170-2.CPL)

|   |                     |
|---|---------------------|
| Maximum Diameter                            | 187mm               |
| Recommended Minimum Space Envelope          | 205mm               |
| Maximum Height                              | 220mm               |
| Recommended Static Height                   | 135mm               |
| Minimum Height                              | 69mm                |
| Total Stroke                                | 151mm               |
| Static Height Range                         | 100–170mm           |
| Effective Area at Recommended Static Height | 154cm <sup>2</sup>  |
| Volume at Recommended Static Height         | 1945cm <sup>3</sup> |
| Weight                                      | 2.85kg              |



### Static Characteristic Curves



### Conditions of Use

|                               |        |
|-------------------------------|--------|
| Maximum Operating Pressure    | 7.0bar |
| Minimum Storage Pressure      | 0.5bar |
| Maximum Operating Temperature | 60°C   |
| Minimum Operating Temperature | -30°C  |



|                                    |     |
|------------------------------------|-----|
| Maximum Axial Offset               | 4mm |
| Max. Horizontal Parallel Deviation | 10° |